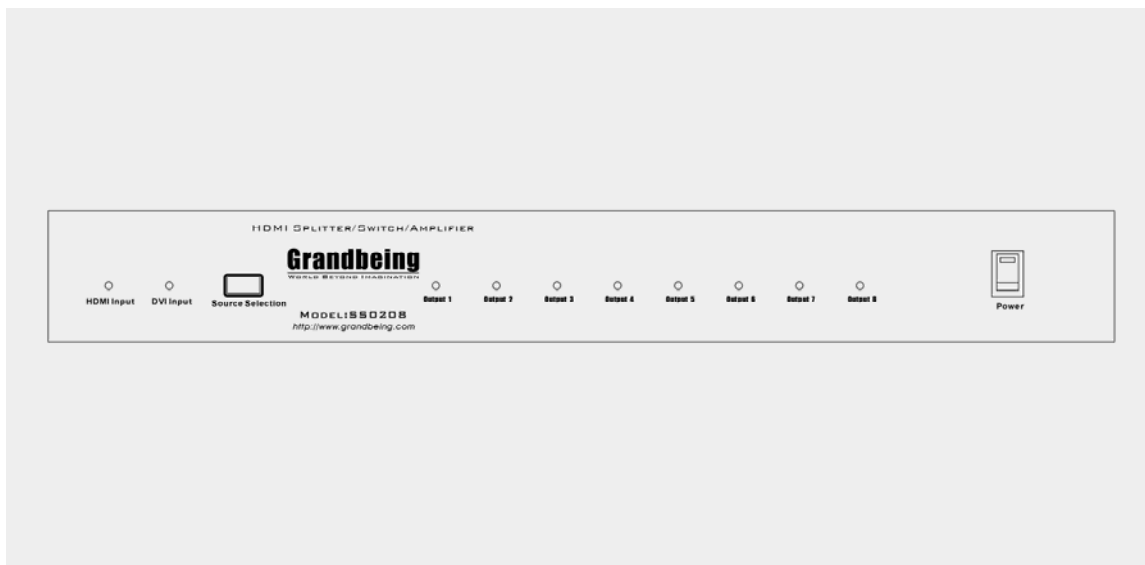


Grandbeing®

HDMI Splitter

Model No. **SS0208**

Operating Instructions (P/N of this Instructions is INSSS0208)



Dear customer

Thank you for purchasing this product. For optimum performance and safety, please read these instructions carefully before connecting, operating or adjusting this product. Please keep this manual for future reference.

FEATURES

- Easy to Use: Install in seconds, no need for setting.
- Switching: Inputs could be switched between HDMI and DVI.
- Conversion: It could convert DVI and SPDIF audio into complete HDMI.
- Distribution: Eight identical HDMI outputs.
- Cascaded (Daisy chained): Large distribution achieved by stacking SS0208.
- HDCP compliant.

NOTICE

Grandbeing Inc. reserves the right to make changes in the hardware, packaging and any accompanying documentation without prior written notice.

TABLE OF CONTENTS

Introduction

Package Contents

Panel Descriptions

Connecting and Operating

Specifications

Typical Application

Maintenance

Product Service

Warranty

WARNING:

TO REDUCE THE RISK OF FIRE, ELECTRIC SHOCK OR PRODUCT DAMAGE:

- 1) DO NOT EXPOSE THIS APPARATUS TO RAIN, MOISTURE, DRIPPING OR SPLASHING AND THAT NO OBJECTS FILLED WITH LIQUIDS, SUCH AS VASES, SHALL BE PLACED ON THE APPARATUS.
- 2) DO NOT INSTALL OR PLACE THIS UNIT IN A BOOKCASE, BUILT-IN CABINET OR IN ANOTHER CONFINED SPACE. ENSURE THE UNIT IS WELL VENTILATED.
- 3) TO PREVENT RISK OF ELECTRIC SHOCK OR FIRE HAZARD DUE TO OVERHEATING, DO NOT OBSTRUCT THE UNIT'S VENTILATION OPENINGS WITH NEWSPAPERS, TABLECLOTHS, CURTAINS, AND SIMILAR ITEMS.
- 4) DO NOT INSTALL NEAR ANY HEAT SOURCES SUCH AS RADIATORS, HEAT REGISTERS, STOVES, OR OTHER APPARATUS (INCLUDING AMPLIFIERS) THAT PRODUCE HEAT.
- 5) DO NOT PLACE SOURCES OF NAKED FLAMES, SUCH AS LIGHTED CANDLES, ON THE UNIT.
- 6) CLEAN THIS APPARATUS ONLY WITH DRY CLOTH.
- 7) UNPLUG THIS APPARATUS DURING LIGHTNING STORMS OR WHEN UNUSED FOR LONG PERIODS OF TIME.
- 8) PROTECT THE POWER CORD FROM BEING WALKED ON OR PINCHED PARTICULARLY AT PLUGS.
- 9) ONLY USE ATTACHMENTS/ACCESSORIES SPECIFIED BY THE MANUFACTURER.
- 10) REFER ALL SERVICING TO QUALIFIED SERVICE PERSONNEL.

INTRODUCTION

Grandbeing's SS0208 is a two-input eight-output HDMI(DVI) Switch/Converter/ Splitter.

The two inputs include DVI and HDMI. DVI input is accompanied by SPDIF audio. The SPDIF input has two forms. One is by RCA connector, another is optical connector. The user could choose either of them. The inputs could be selected by

one button on the front panel.

SS0208 could convert DVI with SPDIF audio into HDMI, and distribute to eight identical HDMI outputs. These eight outputs are synchronized. When HDMI input is chosen, it would be a pure 1 to 8 HDMI splitter.

SS0208 has the ability of buffering and amplifying. Series connection of SS0208 achieves long distance transmission of HDMI signal of more than 15 meters.

When two or more SS0208 are stacked together, they can be used to create a larger distribution (Daisy chained).

SS0208 offers solutions for digital entertainment center, HDTV retail and show site, HDTV, STB, DVD and Projector factory, noise, space and security concerns, data center control, information distribution, conference room presentation, school and corporate training environments.

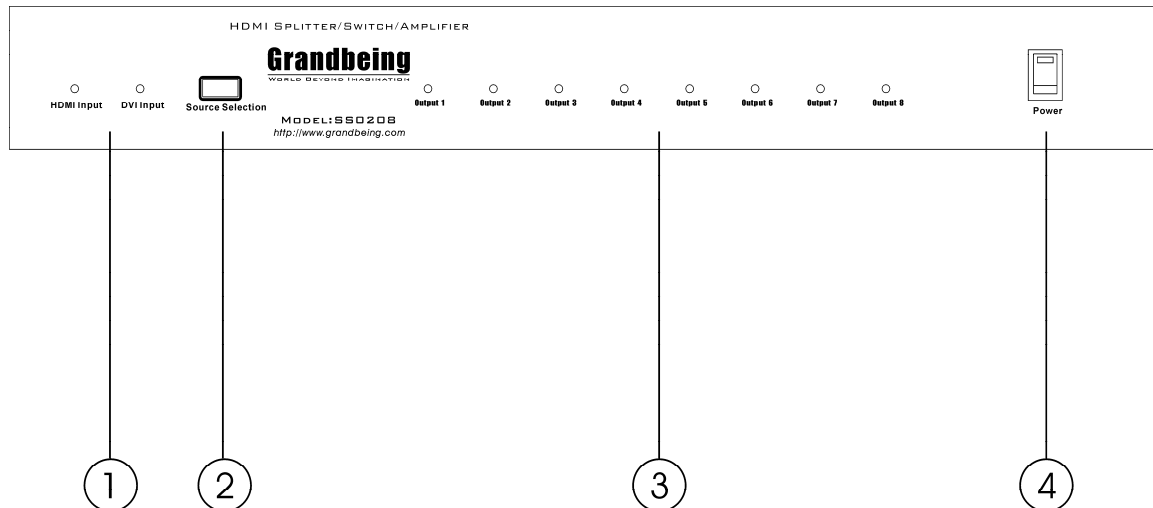
PACKAGE CONTENTS

- 1) Main unit. P/N_SS0208
- 2) 5VDC Power Supply.P/N_VDC0504
- 3) Operating Instructions. P/N_INSSS0208

* Cables are optional.

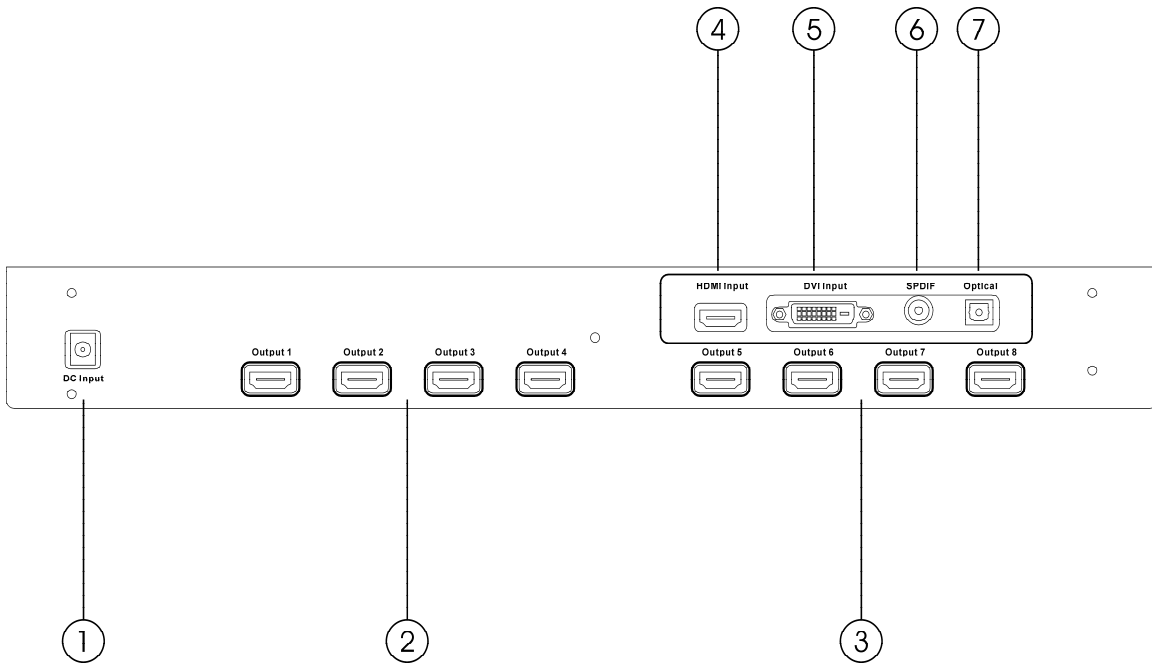
PANEL DESCRIPTIONS

Front Panel



- 1) Indicator of input. When a source is chosen, the corresponding LED lights.
- 2) Source selection button: Choosing input by pushing this button.
- 3) Indicator of HDMI output. When a HDMI equipment is connected, the corresponding LED lights.
- 4) Power Switch. Pushing up is on, LED inside lights.

Rear Panel



- 1) Power input
- 2) HDMI output ports 1 to 4.
- 3) HDMI output ports 5 to 8.
- 4) HDMI input port.
- 5) DVI input port (Video only).
- 6) DVI SPDIF audio input (by the form of RCA).
- 7) DVI SPDIF audio input (by the form of optical).

CONNECT AND OPERATE

- 1) Connect the HDMI input sources into SS0208. (Input cables are optional)
- 2) Connect the HDMI output equipments into SS0208. (Output cables are optional)
- 3) Insert the DC side of 5v power supply into SS0208 and then connect the AC side of the power supply into the wall outlet.
- 4) Turn on the power.

Attention:

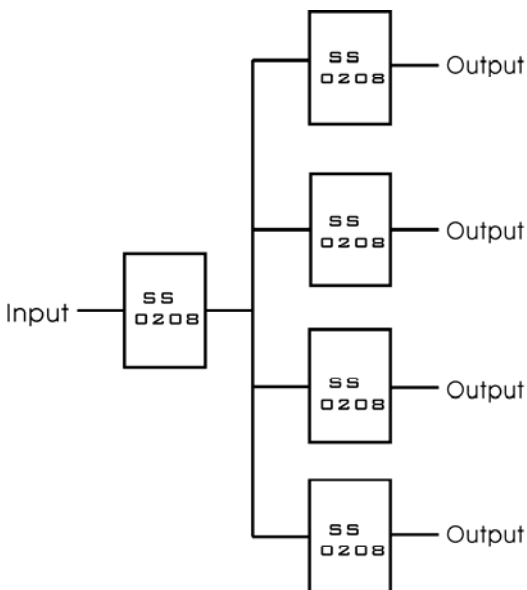
- 1) This equipment has memory. When restarting this machine, input channel would be fixed as it was before.
- 2) Insert / Extract cables gently.

SPECIFICATIONS

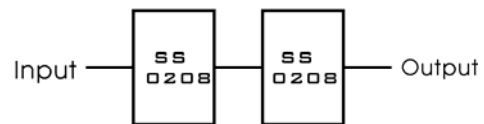
Operating temperature range.....	-5 to +35°C (-41 to +95°F)
Operating humidity range.....	5 to 90 % RH (no condensation)
Video Amplifier Bandwidth.....	140mHz
Input Video Signal.....	0.5-1.0 volts p-p
Input DDC Signal.....	5 volts p-p (TTL)
Maximum Single Link Range.....	1280 x 1024, 1080i
Video format supported:.....	VGA : 640x480,800x600,1024x768,1280x1024 DTV/HDTV: 480i/576i/480p/576p/720p/1080i
Output Video.....	HDMI+HDCP1.0/1.1
Vertical Frequency Range:.....	60Hz
Power Consumption.....	15 Watts (max.)
Power Supply.....	5VDC
Dimensions.....	440mmW x 54mmH x 200mmD
Mass.....	2.8 Kgs

Note: Specifications are subject to change without notice. Mass and dimensions are approximate.

TYPICAL APPLICATION



① Distribution



② Extension

MAINTENANCE

Clean this unit with a soft, dry cloth. Never use alcohol, paint thinner or benzene to clean this unit.

PRODUCT SERVICE

- 1) **Damage requiring service:** The unit should be serviced by qualified service personnel if:
 - (a) The DC power supply cord or AC adaptor has been damaged;
 - (b) Objects or liquids have gotten into the unit;
 - (c) The unit has been exposed to rain;
 - (d) The unit does not operate normally or exhibits a marked change in performance;
 - (e) The unit has been dropped or the cabinet damaged.
- 2) **Servicing Personnel:** Do not attempt to service the unit beyond that described in these operating instructions. Refer all other servicing to authorized servicing personnel.
- 3) **Replacement parts:** When parts need replacing ensure the servicer uses parts specified by the manufacturer or parts that have the same characteristics as the original parts. Unauthorized substitutes may result in fire, electric shock, or other hazards.
- 4) **Safety check:** After repairs or service, ask the servicer to perform safety checks to confirm that the unit is in proper working condition.

WARRANTY

If your product does not work properly because of a defect in materials or workmanship, Grandbeing Company (referred to as “the warrantor”) will, for the length of the period indicated as below, (**Parts (1) Year, Labor(90) Days**) which starts with the date of original purchase (“Limited Warranty period”), at its option either (a) repair your product with new or refurbished parts, or (b) replace it with a new or a refurbished product. The decision to repair or replace will be made by the warrantor.

During the “Labor” Limited Warranty period there will be no charge for labor. During the “Parts” warranty period, there will be no charge for parts. You must mail-in your product during the warranty period. This Limited Warranty is extended only to the original purchaser and only covers product purchased as new. A purchase receipt or other proof of original purchase date is required for Limited Warranty service.

Mail-In Service

When shipping the unit carefully pack and send it prepaid, adequately insured and preferably in the original carton. Include a letter detailing the complaint and provide a day time phone and/or email address where you can be reached.

IF REPAIR IS NEEDED DURING THE LIMITED WARRANTY PERIOD THE PURCHASER WILL BE REQUIRED TO FURNISH A SALES RECEIPT/PROOF OF PURCHASE INDICATING DATE OF PURCHASE, AMOUNT PAID AND PLACE OF PURCHASE. CUSTOMER WILL BE CHARGED FOR THE REPAIR OF ANY UNIT RECEIVED WITHOUT SUCH PROOF OF PURCHASE.

LIMITED WARRANTY LIMITS AND EXCLUSIONS

- 1) This Limited Warranty ONLY COVERS failures due to defects in materials or workmanship, and DOES NOT COVER normal wear and tear or cosmetic damage. The Limited Warranty ALSO DOES NOT COVER damages which occurred in shipment, or failures which are caused by products not supplied by the warrantor, or failures which result from accidents, misuse, abuse, neglect, mishandling, misapplication, alteration, faulty installation, set-up adjustments, misadjustment of consumer controls, improper maintenance, power line surge, lightning damage, modification, or service by anyone other than a Factory Servicer or other Authorized Servicer, or damage that is attributable to acts of God.
- 2) THERE ARE NO EXPRESS WARRANTIES EXCEPT AS LISTED UNDER "LIMITED WARRANTY COVERAGE". THE WARRANTOR IS NOT LIABLE FOR INCIDENTAL OR CONSEQUENTIAL DAMAGES RESULTING FROM THE USE OF THIS PRODUCT, OR ARISING OUT OF ANY BREACH OF THIS WARRANTY. (As examples, this excludes damages for lost time, cost of having someone remove or re-install an installed unit if applicable, travel to and from the servicer, loss of or damage to media or images, data or other recorded content. The items listed are not exclusive, but are for illustration only.)
- 3) PARTS AND SERVICE, WHICH ARE NOT COVERED BY THIS LIMITED WARRANTY, ARE YOUR RESPONSIBILITY.

Grandbeing Technology Co., Ltd

**Address: 6C, Jialitai Building, No. 6 Yanshan Road, Nanshan District
Shenzhen , P.R. China**

Post Code:518067

Tel:86-755-26678449

Fax:86-755-26678549

Email: Sales@grandbeing.com, lauarthur@163.com

Website: <http://www.grandbeing.com>