

THE BEST HDMI MATRIX FOR INSTALLERS

THAT'S GRANDBEING'S NEW HDMI MATRIX SERIES

* Grandbeing releases the most innovated 4:8 HDMI matrix MX0408-310 in the world. The new matrix is fully HDMI V1.3b supported. It has 4 standard HDMI inputs, 8 standard HDMI outputs, and 8 UTP type HDMI outputs. That means the number of the total outputs is up to 16. An EDID learning function is added to increase its capability of compatible. While using UTP type cable to connect the sink, the user can remote control the matrix itself or the source from the sink side via an IR receiver. The function of the IR control is also based on the routing function. So that the user can configure the system much easier than using simple point to point IR connection. To have a secured normal HDMI cable connection, a mounting nut is added on each standard HDMI output port for fixing the cable. TCP/IP LAN control is also offered in this revision for professional system integrators.



MX0408-310 (Front)



MX0408-310 (Rear)

FEATURES (ONLY FOR MX0404-310)

- ◆ 4 HDMI inputs
- ◆ 4 HDMI standard outputs, 4 UTP type HDMI outputs, total outputs number up to 8
- ◆ HDMI V1.3b
- ◆ 4 IR emitters to control the 4 sources, the IR control is routing type
- ◆ Multi control methods, manual, IR on front panel, IR on rear extension, IR via UTP from sink, RS232, LAN(TCP/IP)
- ◆ Key locking to avoid accidental operation
- ◆ Special mounting nuts to fix HDMI cable
- ◆ 19" standard mounting enclosure, 1U size
- ◆ It supports HDMI signal single UTP cable transmission.
- ◆ EDID self studying function.
- ◆ HDMI output supports HDMI or DVI displays.
- ◆ HDCP compliant.



MX0404-310 (Front View)



MX0404-310 (Rear View)



MX0404-310



MX0404-U08



MX0404-311



MX0404-312



MX0404-313

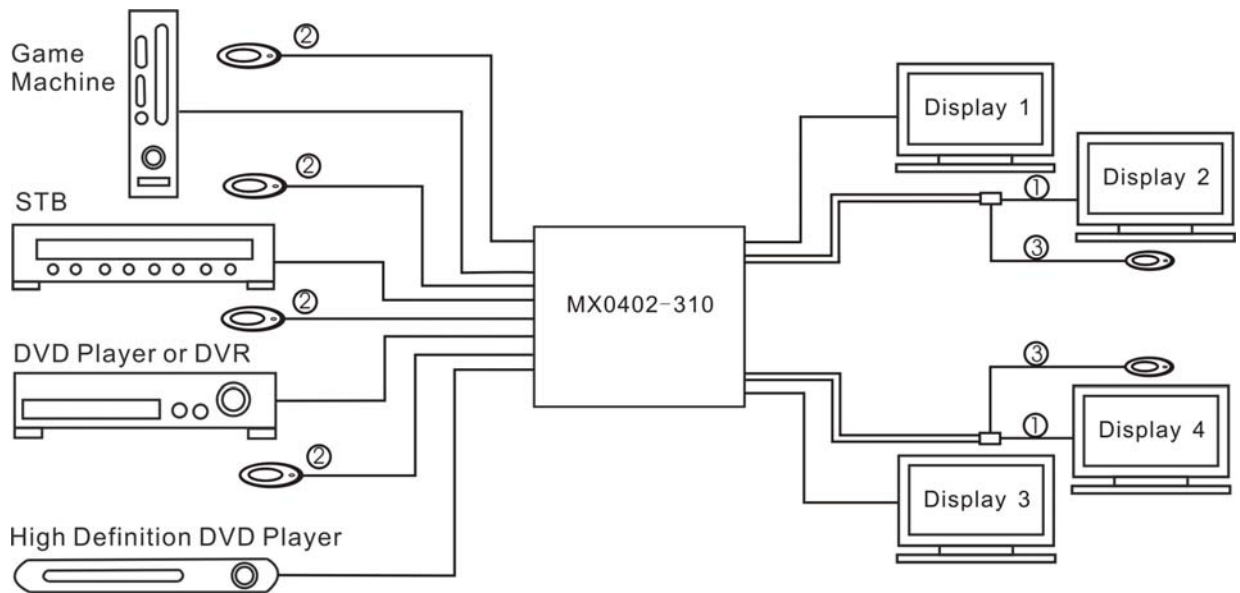


MX0402-310

Model Selection Guidelines

	MX0408-310	MX0404-310	MX0404-U08	MX0404-311	MX0404-312	MX0404-313	MX0402-310
Number of HDMI Input	4	4	4	4	4	4	4
Number of Standard HDMI Output	8	4	0	4	0	0	2
Number of UTP HDMI output	8	4	8	0	4	4	2
Single UTP HDMI transmission	Supported	Supported	Supported	No	Supported	Supported	Supported
IR extension from sink to control source	Yes, with EX0101-U33 or EX010-U53	Yes, with EX0101-U33 or EX010-U53	Yes, with EX0101-U33 or EX010-U53	No	No	Yes, with EX0101-U33 or EX010-U53	Yes, with EX0101-U33 or EX010-U53
IR extension from sink to control matrix	Yes, with EX0101-U33 or EX010-U53	Yes, with EX0101-U33 or EX010-U53	Yes, with EX0101-U33 or EX010-U53	No	No	Yes, with EX0101-U33 or EX010-U53	Yes, with EX0101-U33 or EX010-U53
IR signal from sink routing	Yes, with EX0101-U33 or EX010-U53	Yes, with EX0101-U33 or EX010-U53	Yes, with EX0101-U33 or EX010-U53	No	No	Yes, with EX0101-U33 or EX010-U53	Yes, with EX0101-U33 or EX010-U53
RS485 control	Yes	No	No	No	No	No	No
RS232 control	No	Yes	Yes	Yes	Yes	Yes	Yes
IR extension control(just control the matrix)	Yes	Yes	Yes	Yes	Yes	Yes	Yes
TCP/IP control	Yes	Yes	No	No	No	No	Yes
19" mount	Yes	Yes	Yes	Yes	Yes	Yes	Yes
With remote	Yes	Yes	Yes	Yes	Yes	Yes	Yes
HDMI 1.3B	Yes	Yes	Yes	Yes	Yes	Yes	Yes
7.1 CH audio and bit stream audio	Yes	Yes	Yes	Yes	Yes	Yes	Yes

Typical Application Diagram(Just for MX0402-310)



Note: 1. ① UTP receiver, ② IR TX ③ IP RX
2. ①②③ are optional, not included in the normal package content.

Optional accessories for the matrix:



EX0101-U02(30meter UTP extender without power supply)



EX0101-U31(30meter UTP extender without IR)



EX0101-U51(50meter UTP extender without IR)



EX0101-U33(30meter UTP extender with IR)



EX0101-U53(50meter UTP extender with IR)



EX0101-3U1(UTP repeater with IR, for long range transmission)



SP0202-HU1(Single UTP extender, for long range cascading)



IR emitter



IR receiver

深圳市广平正科技有限责任公司

地址: 深圳市南山区沿山路 6 号佳利泰大厦 6C

电话: 0755-26678449

传真: 0755-26678549

<http://www.grandbeing.com>

Grandbeing Technology Co., Ltd

Address: 6C, Jialitai Building, No.6, Yanshan Rd., Nanshan District,
Shenzhen,

China

Tel: 86-755-26678449

Fax: 86-755-26678549

<http://www.grandbeing.com>